

VC Clay Treater

The 3L Filters™ VC Series clay treaters provide removal of surfactants from liquid hydrocarbon fuels and removal of acids or oxidation products from lubrication or hydraulic oils. The VC uses clay canister filtration media to adsorb surfactants, often as a pre-filter.

Applications

Clay treaters are commonly installed upstream of filter separators to remove surfactants that can disarm filter separators.

Standard Features

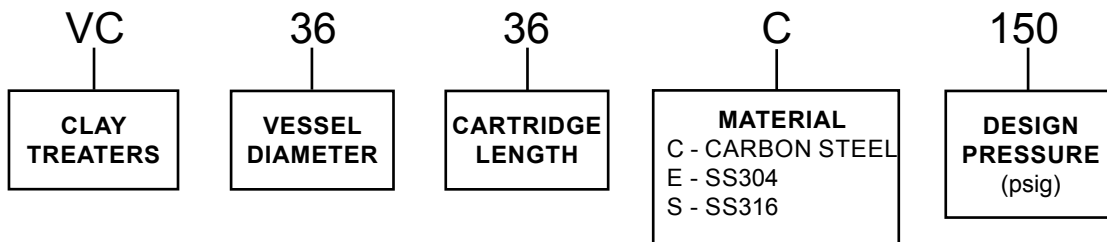
- designed to ASME Section VIII Div.1 & 2
- 150 psig standard design pressure
- -20°F to 150°F (-29°C to 66°C) standard design temperature
- 150 lb ANSI RF flanged inlet/outlet
- 3000 lb NPT couplings for vent, drain and pressure gauge connections
- carbon steel housing material
- hydraulic Jack headlift
- quick access for replacement of clay canisters
- standard Swing Bolt closure with O-ring seal
- external primer finish for carbon steel housings
- internal epoxy coating
- angle leg supports

Options & Accessories

- custom design pressures to 2500 psig
- custom flange ratings
- custom housing materials
- optional handwheel headlift
- optional closure: Thru-Bolt
- O-ring closure seal in Buna or Viton®
- electropolishing of stainless steel housings
- passivation of stainless steel housings
- paint or coating to customer specifications
- additional nozzles as needed
- air eliminator
- valves
- safety relief valves
- pressure gauges
- sampling kit
- working platform



Model Coding



Clay Treater

Fig.	Model No.	Element Qty	A Vessel OD in (mm)	B in (mm)	C in (mm)	D in (mm)	E in (mm)	G in (mm)	H in (mm)	L in (mm)	Inlet/ Outlet (RF)	Vent Safety Drains (NPT)	Press. Gauge (NPT)	GPM (US) Diesel	GPM (US) Gasoline	GPM (US) Kerosene	Weight lbs (kg)
1	VC3636C150	34	36 (914)	25.0 (635)	58.0 (1473)	74.0 (1880)	94.0 (2388)	48 (1219)	23.0 (584)	12 (305)	4"	3/4"	1/2"	140	300	230	2125 (964)
1	VC3654C150	51	36 (914)	25.0 (635)	74.5 (1892)	90.5 (2299)	128.5 (3264)	48 (1219)	23.0 (584)	12 (305)	4"	3/4"	1/2"	200	440	340	2375 (1077)
1	VC4254C150	72	42 (1067)	26.5 (673)	77.5 (1968)	95.0 (2413)	131.5 (3340)	54 (1372)	28.0 (711)	14 (356)	6"	3/4"	1/2"	280	600	465	3000 (1361)
1	VC4854C150	93	48 (1219)	28.0 (711)	79.0 (2007)	99.0 (2515)	133.0 (3378)	60 (1524)	32.0 (813)	14 (356)	6"	3/4"	1/2"	360	780	600	3500 (1588)
1	VC5454C150	120	54 (1372)	29.0 (737)	80.0 (2032)	102.5 (2604)	134.0 (3404)	66 (1676)	36.5 (927)	14 (356)	6"	3/4"	1/2"	480	1040	800	4100 (1860)
1	VC6054C150	150	60 (1524)	31.0 (787)	82.0 (2083)	107.0 (2718)	136.0 (3454)	72 (1829)	41.0 (1041)	14 (356)	8"	3/4"	1/2"	590	1265	975	4750 (2155)
1	VC6654C150	183	66 (1676)	36.0 (914)	87.0 (2210)	116.0 (2946)	141.0 (3581)	78 (1981)	45.5 (1156)	14 (356)	8"	3/4"	1/2"	700	1500	1200	6500 (2948)

Note:

Dimension 'E' is the minimum clearance required for clay canister removal.
Drawings for reference only. Certified drawings will be supplied after receipt of order.

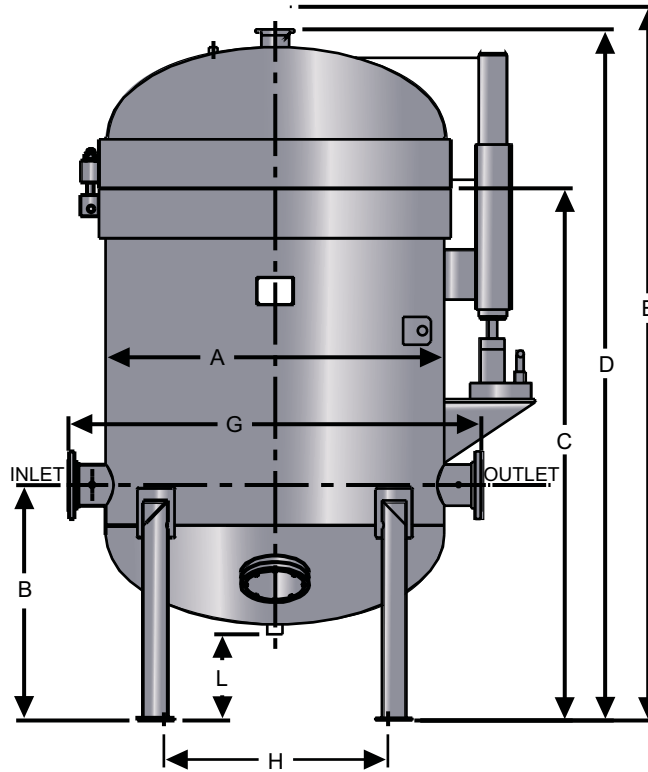


Figure 1 VC Series Clay Treater