

F & FD Lube Oil, Seal Oil & Control Oil Cartridge Filter Housing

The 3L Filters™ F & FD Series oil cartridge filters provide continuous particulate filtration for critical and non-critical lube, seal and control oil applications. Many standard systems conform to API 614 requirements for system components, including filters and transfer valves as well as the required controls and instrumentation.

Applications

Turbine manufacturers, machine tool manufacturers, lube oil console manufacturers, mining-gear lube oil filters, transformer oil filtration-distribution terminals, oil recycling plants, hydraulic systems, heat transfer oil filtration and any other rotating equipment such as compressors and motors.

Standard Features

- 150 psig at 150°F (66°C) standard design pressure
- -20°F to 200°F (-29°C to 93°C) standard design temperature
- 150 lb ANSI RF50 flanged inlet/outlet nozzles
- 3000 lb NPT couplings for vent, drain and pressure gauge connections
- vertical housing of carbon steel material
- stainless steel cartridge hardware
- housing dimensions under 12" (305 mm) utilize handles, not headlifts
- 3L Pogo (spring-assisted) headlift on housing diameters 8" to 18" (203 mm to 457 mm); hydraulic Jack headlift on housing diameters over 18" (457 mm)
- quick access to replace cartridges
- standard Swing Bolt closures
- O-ring closure seal
- Standard cartridge lengths 18" (457 mm) and 36" (914 mm)
- external primer finish for carbon steel housings

Options & Accessories

- custom design pressures to 3000 psig
- higher design temperatures
- custom flange rating
- custom housing materials
- optional headlifts: handwheel or 3L Cantilever
- optional closures: Thru-Bolt or patented Easy Access Closure
- O-ring closure seal in Buna, Viton®, Teflon® or EPDM
- custom cartridge configurations and sizes
- custom filter media
- paint or coating to customer specification
- additional nozzles as needed
- three way valves
- safety relief valves
- pressure gauges
- steam jackets
- working platform

Certifications

- designed to ASME Section VIII Div. 1 & 2



Model Coding

F & FD
LUBE OIL, SEAL OIL, CONTROL OIL FILTERS
F - SINGLE
FD - DUPLEX

8
VESSEL DIAMETER

18
CARTRIDGE LENGTH

C
MATERIAL
A - ALUMINUM
C - CARBON STEEL
E - SS304
S - SS316

150
DESIGN PRESSURE (psig)

F & FD

Cartridge Filters (Lube Oil, Seal Oil & Control Oil)

Fig.	Model No.	Filter Elements		A Vessel OD in (mm)	B1 in (mm)	B2 in (mm)	C in (mm)	D in (mm)	E in (mm)	F in (mm)	G in (mm)	H in (mm)	Inlet/ Outlet (RF)	Vent Safety Drains (NPT)	Press. Gauge (NPT)	GPM (US)	Weight lbs (kg)
		Qty	Lg in (mm)														
1	FD818C150	1	18 (257)	8.625 (219)	8.75 (222)	6 (152)	32.50 (826)	36 (914)	50.50 (1283)	21 (533)	-	8.500 (216)	1 1/2"	3/4"	1/2"	50	215 (98)
1	FD836C150	1	36 (914)	8.625 (219)	10.00 (254)	6 (152)	51.00 (1295)	55 (1397)	87.00 (2210)	21 (533)	-	8.500 (216)	2"	3/4"	1/2"	100	260 (118)
1	FD1436C150	2	36 (914)	14.000 (356)	11.50 (292)	6 (152)	51.75 (1314)	56 (1422)	87.75 (2229)	33 (838)	-	12.375 (314)	3"	3/4"	1/2"	200	365 (166)
1	FD1636C150	3	36 (914)	16.000 (406)	11.50 (292)	6 (152)	51.75 (1314)	56 (1422)	87.75 (2229)	39 (991)	-	13.750 (349)	3"	3/4"	1/2"	300	440 (200)
1	FD1836C150	4	36 (914)	18.000 (457)	13.00 (330)	6 (152)	52.50 (1334)	57 (1448)	88.50 (2248)	45 (1143)	-	15.250 (387)	4"	3/4"	1/2"	400	470 (213)
2	F818C150	1	18 (457)	8.625 (219)	14.75 (375)	6 (152)	32.50 (826)	36 (914)	50.50 (1283)	-	20.625 (524)	8.500 (216)	1 1/2"	3/4"	1/2"	50	215 (98)
2	F836C150	1	36 (914)	8.625 (219)	16.00 (406)	6 (152)	51.00 (1295)	55 (1397)	87.00 (2210)	-	20.625 (524)	8.500 (216)	2"	3/4"	1/2"	100	260 (118)
2	F1436C150	2	36 (914)	14.000 (356)	17.50 (445)	6 (152)	51.75 (1314)	56 (1422)	87.75 (2229)	-	26.000 (660)	12.375 (314)	3"	3/4"	1/2"	200	365 (166)
2	F1636C150	3	36 (914)	16.000 (406)	17.50 (445)	6 (152)	51.75 (1314)	56 (1422)	87.75 (2229)	-	28.000 (711)	13.750 (349)	3"	3/4"	1/2"	300	440 (200)
2	F1836C150	4	36 (914)	18.000 (457)	19.00 (483)	6 (152)	52.50 (1334)	57 (1448)	88.50 (2248)	-	30.000 (762)	15.250 (387)	4"	3/4"	1/2"	400	470 (213)

Note:

Dimension 'E' is the minimum clearance required for cartridge removal.
 Flow rates are based on a liquid viscosity of 200 SSU.
 Drawings for reference only. Certified drawings will be supplied after receipt of order.
 1.5" (38 mm) and 2" (51 mm) Inlet/Outlet nozzles are 3000# NPT.
 3" (76 mm) and 4" (102 mm) Inlet/Outlet nozzles are 150# RFSO.

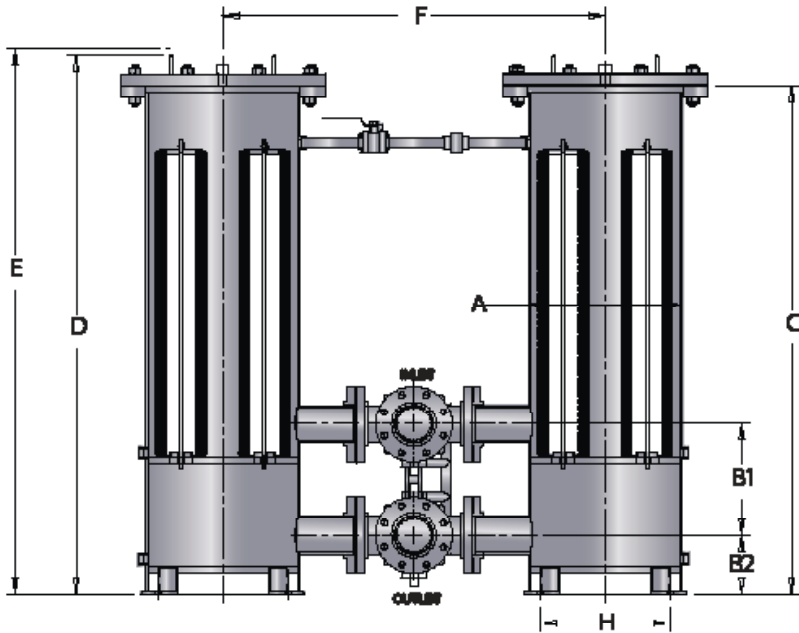


Figure 1

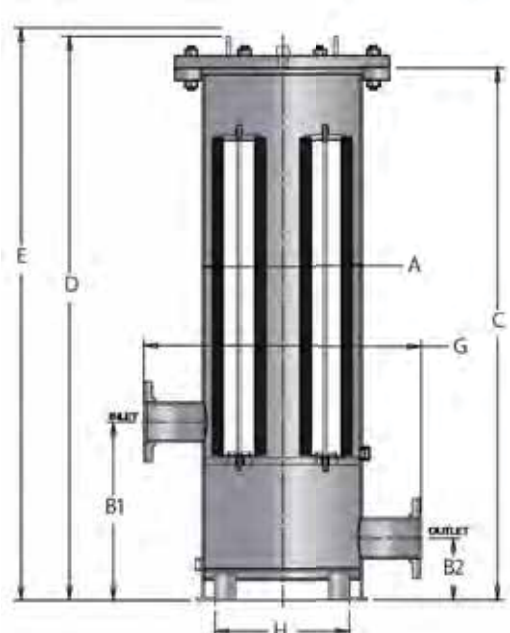


Figure 2

To receive your enclosure quote,
fax these pages to:
(905) 829-4430 Attention: Projects

Oil Cartridge Filter RFQ Form

Client Information:

Company Name: _____
Address: _____
City, State (Prov): _____
Country, Zip (Postal Code): _____
Contact Name: _____
Contact Title: _____
Phone / Fax: _____
E-mail: _____
Project Name: _____
Project Location: _____
Item: _____
Tag No: _____
Date: _____

Proposal Type Required:

Budgetary Bid Buy
Other: _____
Required Date for Proposal: _____
Anticipated Shipping Date for Project: _____

Required Data:

Liquid To Be Filtered: _____
 Hydraulic Oil Lube Oil Seal Oil Other
Type of Oil: _____
Maximum/Design Flow Rate: _____
 gpm ft³/hr m³/hr Other
Operating Pressure: _____
 psig barg Other
Operating Temperature: _____ °F/ °C
Particle Removal Size: _____
Microns: _____
Density of Liquid at Op. Condition: _____
 lb/ft³ Liquid sp. gr. Other
Viscosity of Liquid at Op. Condition: _____
 cp SSU Other
Filter Style: _____ Single/ Duplex

Additional Data:

Solid Contaminants: _____
 % wt % vol Other
Type of Solid Contaminant: _____
Allowable Clean Pressure Drop: _____
 psi bar Other
Max. Allowable Pressure Drop: _____
 psi bar Other
Nozzle Inlet/Outlet Size: _____ in/ mm
Material of Construction: _____
Vessel: _____ Internals: _____ Support: _____
Design & Code:
 ASME Other
CRN: _____
 Yes No Province _____
API 614 Compliance: _____ Yes/ No
Design Pressure: _____
 psig barg kg/cm² g Other
Design Temperature: Min. _____ Max. _____ °F/ °C
Corrosion Allowance: _____ in/ mm
Radiography:
 None Spot Full 100% All Butt Wells
Gasket:
 Buna-N Viton® A EPDM Other
ASME Section VII, Div. 1
Vessel Internal Finish: _____
 Clean & Dry Other
Specify: _____
Vessel External Finish: _____
 Primer Other
Specify: _____
Closure: _____
 Standard Quick Opening
Notes: _____

Oil Cartridge Filter RFQ